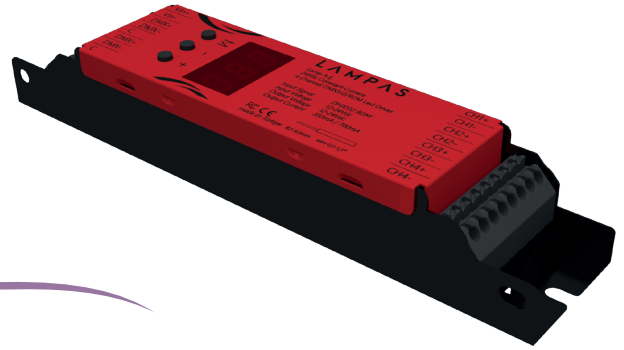


# DMX CC 4s

"DMX CC 4s" is a constant current DMX512 decoder with 4 channel output, achieving address setting via RDM protocol. With 350/500/700ma LED drive current options, DMX CC is a perfect candidate for driving single color, bi-color, RGB and RGBW LED luminaires. Its slim type design allows "DMX CC 4s" to be used in the luminaire housing.

Made in Turkey



## General Specifications

### Slim type design

The usage of the "DMX CC 4s" in the housing of the luminaires are achieved by its slim type mechanical case. With the slim body, the mounting and cabling also becomes easier.

### Addressable via RDM protocol

"DMX CC 4s" supports remote device management (RDM) protocol. This feature enables user to set/read the address of "DMX CC 4s" using an RDM controller, without reaching the device, using DMX cable connected to DMX input of the decoder.

### DMX master and stand alone modes

"DMX CC 4s" can be used as a DMX master controller. The mode selection, scenerio selection and scenerio speed are configured by user via buttons and display on the device. In master mode, the decoder also drives the LEDs connected to its output according to its DMX address.

### Drive current options

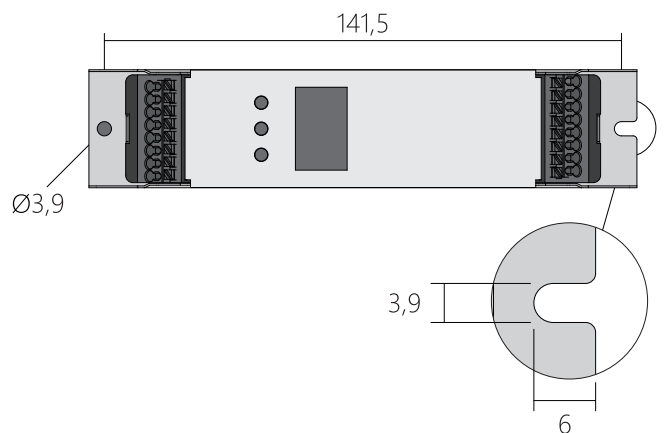
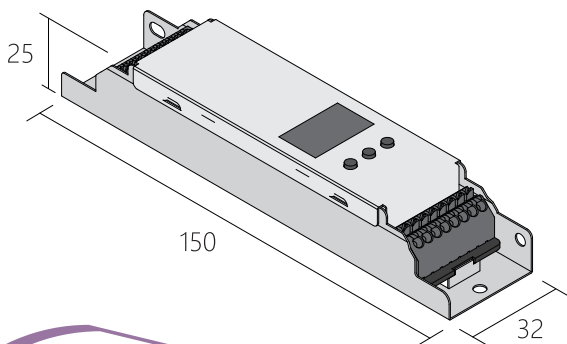
"DMX CC 4s" has three drive current options which are 350, 500 and 700 ma. The selection of drive current is done in manufacturing process so it should be determined in the order.

### Embedded gamma correction

"DMX CC 4s" applies gamma correction to the DMX data and drives the LEDs according to gamma corrected color levels. This unique feature makes the decoders suitable for facade lighting applications. The gamma correction value can be set by user via buttons and display on the device.

### Digital numeric display & user buttons

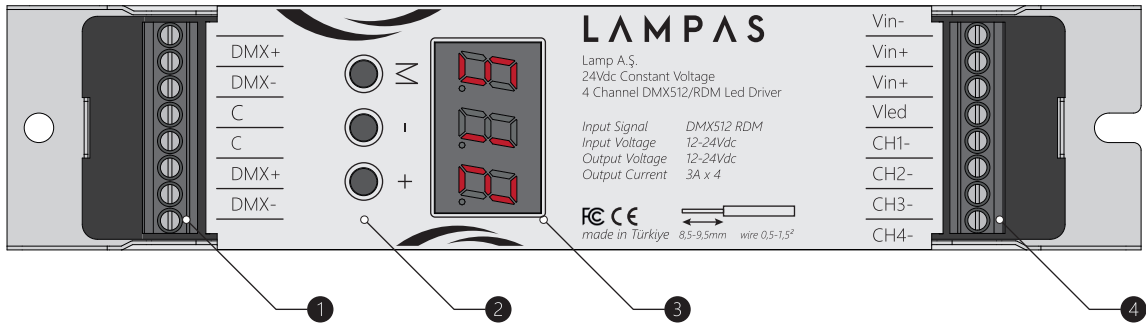
DMX Address, device operation mode, scenerio type, scenerio speed, gamma correction values can be set easily via user buttons and display located on top of the decoder.



\*All dimensions are in millimeter

# Technical Specifications

|                              |                    |
|------------------------------|--------------------|
| <b>Input Voltage</b>         | 12-24 VDC          |
| <b>Output Channel num</b>    | 4 Ch               |
| <b>Output Current per ch</b> | 350/500/700mA      |
| <b>Dimensions</b>            | 150×32×25mm        |
| <b>Weight</b>                | 150g               |
| <b>Operating Temp.</b>       | -10°C ~ 50°C       |
| <b>Storage Temp.</b>         | -20°C ~ 80°C       |
| <b>Case</b>                  | Coated Metal Sheet |
| <b>IP Rating</b>             | IP20               |



- 1 Input Connector
- 2 Configuration Buttons
- 3 Display
- 4 Output Connector

**RoHS**  
Compliant

