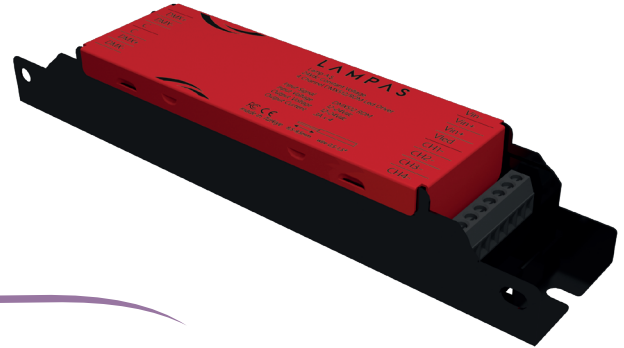


DMX CV₄

"DMX CV 4" is a constant voltage DMX512 decoder with 4 channel output, achieving address setting via RDM protocol. With 12V-24V input voltage range, DMX CV is a perfect candidate for driving single color, bi-color, RGB and RGBW LED luminaires. Its slim type design also allows "DMX CV 4" to be used in the luminaire housing.



Made in Turkey

General Specifications

Slim type design

The usage of the "DMX CV 4" in the housing of the luminaires are achieved by its slim type mechanical case. With the slim body, the mounting and cabling also becomes easier even if the decoder is mounted outside luminaire.

Addressable via RDM protocol

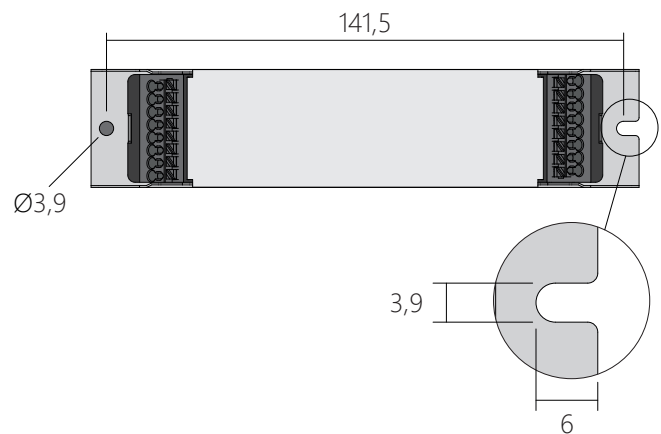
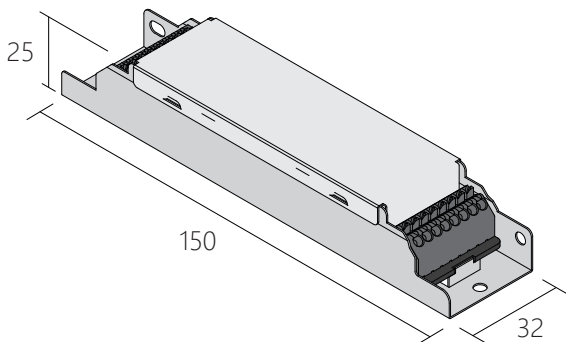
"DMX CV 4" supports remote device management (RDM) protocol. This feature enables user to set/read the address of "DMX CV 4" using an RDM controller, without reaching the device, using DMX cable connected to DMX input of the decoder.

Wide input voltage range

"DMX CV 4" has 12V-24V wide input voltage range. This feature makes DMX CV a proper solution to drive many types LED luminaires in the market.

Embedded gamma correction

"DMX CC 4" applies gamma correction to the DMX data and drives the LEDs according to gamma corrected color levels. This unique feature makes the decoders suitable for facade lighting applications.

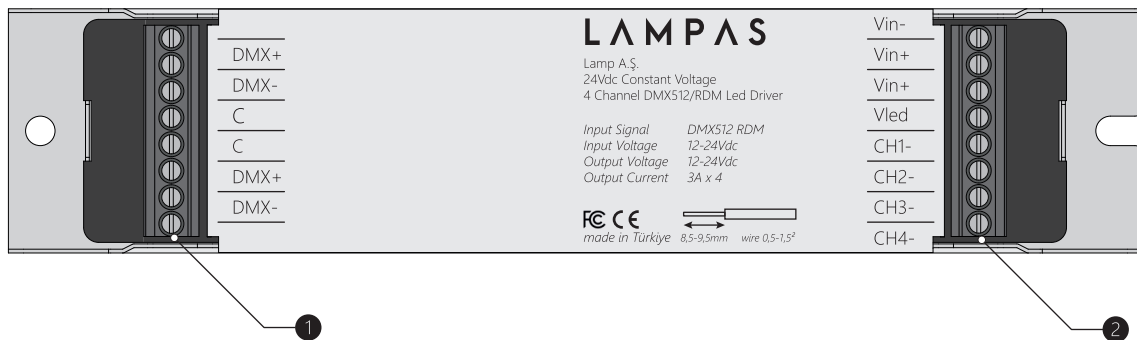


*All dimensions are in millimeter

Technical Specifications

Input Voltage	12-24 VDC
Output Channel num	4 Ch
Output Current	4×3A
Dimensions	150X25X32mm
Weight	150g
Operating Temp.	-10°C ~ 50°C
Storage Temp.	-20°C ~ 80°C
Case	Coated Metal Sheet
IP Rating	IP20

Front View



- 1 Input Connector
- 2 Output Connector

RoHS
Compliant

