

OPUS₁

ArtNET DMX Controller

"OPUS 1" is a single universe ArtNet DMX controller designed to be the professional DMX control solution for the lighting systems.

Made in Turkey

1 Port ArtNET DMX



General Specifications

True FPS

OPUS 1 ensures that the DMX 512 update rate is exactly the same with the frame rate of the media coming from network. Thanks to the powerful ARM processor of OPUS 1, the frame rate (FPS) between 5-40 per second is guaranteed without any delay or frame-loss.

2 Port Ethernet Switch

The 2 port ethernet switch on OPUS 1 allows daisy chain connection of several OPUS or any ArtNet-DMX converters, eliminating the necessity for an external network switch. This makes the cabling within the controller cabinet easier than ever.

LED Indicators

LED indicators on OPUS 1 visualize the state of each output channel, ArtNet related activity on network and the status of the device. This allows user to observe data flow in output port and related ArtNet network traffic.

Software Compatibility

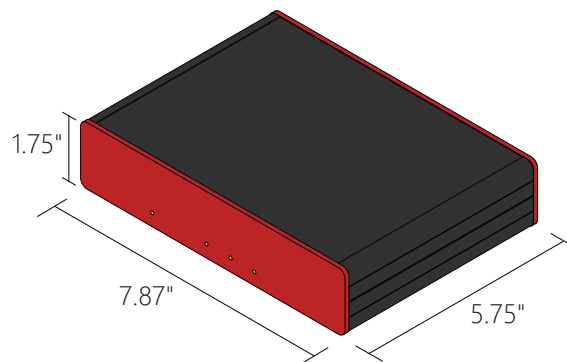
OPUS 1 supports ArtNet 1/2/3 protocol and can be used as a robust ArtNet - DMX converter by any trusted ArtNet software in the market such as MADRIX 3/5, Enttec ELM, Jinx etc.

Configuration via Network

OPUS 1's configuration and setup can be done easily with network-based user configuration tool. The tool allows users to modify IP address, subnet mask and gamma correction value. Output port-universe assignment also can be performed with that configuration tool.

True Sync

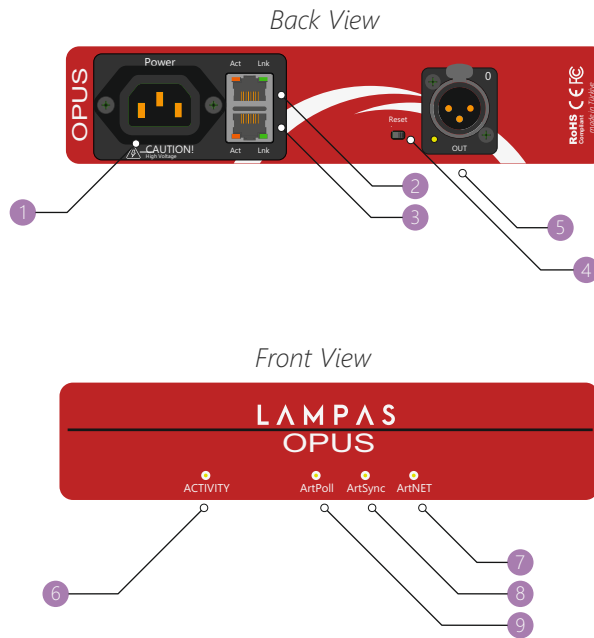
OPUS 1 supports synchronization between the devices by ArtSync packets. All devices operate synchronously.



Technical Specifications

1 Port ArtNET DMX

| | |
|------------------------|------------------------------------|
| Power | Universal Input 85-305VAC 50-60 Hz |
| DMX512 Ports | 1xNEUTRIK 3-Pin XLR |
| Ethernet | 2xRJ45, 10/100Mb |
| Dimensions | 7.87×5.75×1.75 inch |
| Weight | 1.98 lb |
| Operating Temp. | 14°F ~ 122°F |
| Storage Temp. | -4°F ~ 176°F |
| Case | Aluminum Enclosure |
| IP Rating | IP20 |



- ① Power Input
- ② RJ45 Ethernet Port 1
- ③ RJ45 Ethernet Port 2
- ④ Reset Switch
- ⑤ DMX Output
- ⑥ Activity LED
- ⑦ ArtNET LED
- ⑧ ArtSync LED
- ⑨ ArtPoll LED

RoHS
Compliant

