

OPUS 16

ArtNET DMX Controller

"OPUS 16" is an 16 universe ArtNet DMX controller designed to be the professional DMX control solution for lighting systems that need lots of DMX512 channels.

Made in Turkey

16 Port ArtNET DMX



General Specifications

True FPS

OPUS 16 ensures that the DMX 512 update rate is exactly the same with the frame rate of the media coming from network. Thanks to the powerful ARM processor of OPUS 16, the frame rate (fps) between 5-40 is guaranteed without any delay or frame-loss.

2 Port Ethernet Switch

The 2 port Ethernet switch on OPUS 16 allows daisy chain connection of several OPUS or any ArtNet DMX controller, eliminating the necessity for an external network switch. This makes the cabling within the controller cabinet easier than ever.

LED Indicators

LED indicators on OPUS 16 visualize the state of each output channel, ArtNet related activity on network and the status of the device. This allows user to observe data flow in the output port and related ArtNet network traffic.

Software Compatibility

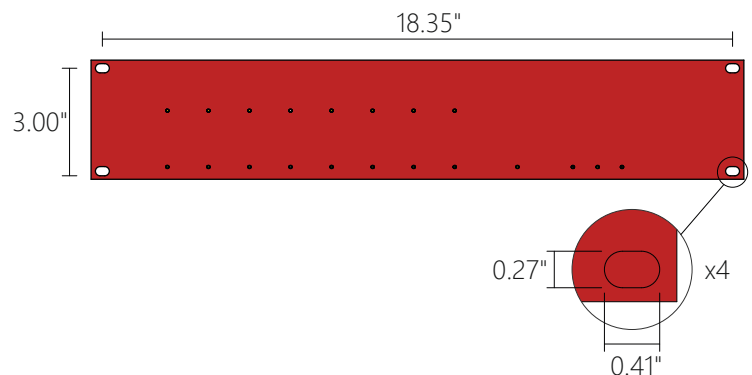
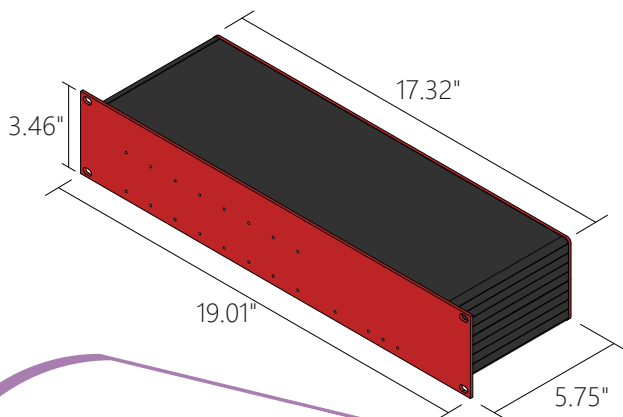
OPUS 16 supports ArtNet 1/2/3 protocol and can be used as a robust ArtNet DMX controller by any ArtNet software in the market such as MADRIX 3/5, Enttec ELM, Jinx etc.

Configuration over Ethernet

OPUS 16's configuration and setup can be done easily with Ethernet-based user configuration tool. The tool allows users to modify IP address, subnet mask and gamma correction value. Output port-universe assignment also can be performed with the configuration tool.

True Sync

OPUS 16 allows the synchronization between devices by ArtSynch packets. OPUS 16 also ensures the synchronization across its output channels. All connected devices operates synchronously.

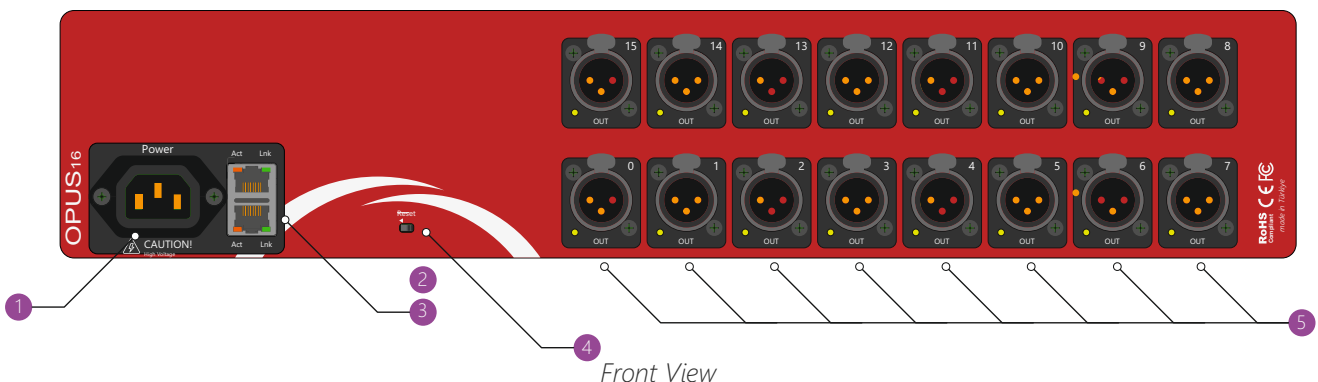


Technical Specifications

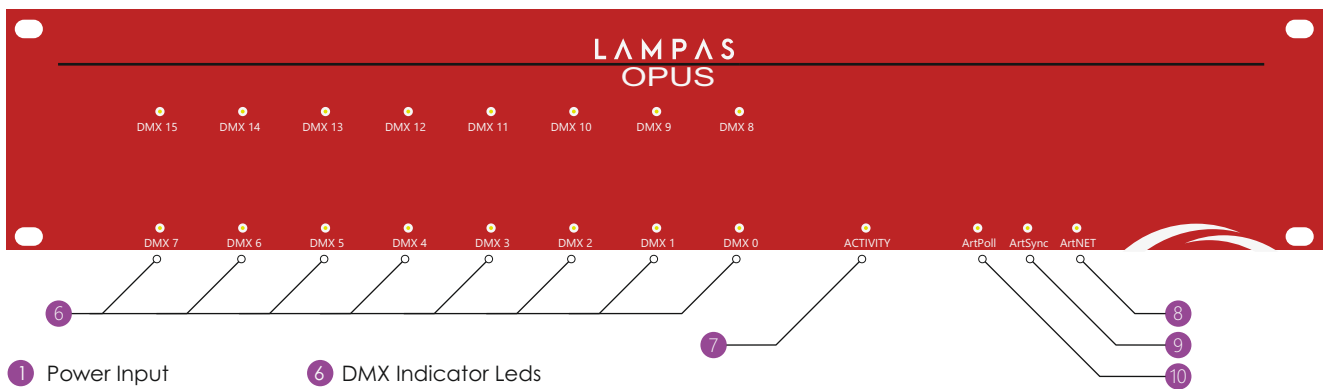
16 Port ArtNET DMX

| | |
|------------------------|------------------------------------|
| Power | Universal Input 85-305VAC 50-60 Hz |
| DMX512 Ports | 16xNEUTRIK 3-Pin XLR |
| Ethernet | 2xRJ45, 10/100Mb |
| Size | 2U |
| Dimensions | 19.01×5.75×3.00 inch |
| Weight | 3.97 lb |
| Operating Temp. | 14°F ~ 122°F |
| Storage Temp. | -4°F ~ 176°F |
| Case | Aluminum Enclosure |
| IP Rating | IP20 |

Back View



Front View



- 1 Power Input
- 2 RJ45 Ethernet Port 1
- 3 RJ45 Ethernet Port 2
- 4 Reset Switch
- 5 DMX Output Ports
- 6 DMX Indicator Leds
- 7 Activity Led
- 8 ArtNET Led
- 9 ArtSync Led
- 10 ArtPoll Led

RoHS
Compliant

