

OPUS 4

ArtNet DMX Controller

"OPUS 4" is a 4 universe ArtNet DMX controller designed to be the professional DMX control solution for the lighting systems that need lots of DMX512 channels.

Made in Turkey

4 Port ArtNet DMX



General Specifications

True FPS

OPUS 4 ensures that the DMX 512 update rate is exactly the same with the frame rate of the media coming from network. Thanks to the powerful ARM processor of OPUS 4, the frame rate (fps) between 5-40 per second is guaranteed without any delay or frame-loss.

2 Port Ethernet Switch

The 2 port Ethernet switch on OPUS 4 allows daisy chain connection of several OPUS or any ArtNet-DMX controller, eliminating the necessity for an external network switch. This makes the cabling within the controller cabinet easier than ever.

LED Indicators

LED indicators on OPUS 4 visualize the state of each output channel, ArtNet related activity on network and the status of the device. This allows user to observe data flow in output port and related ArtNet network traffic.

Software Compatibility

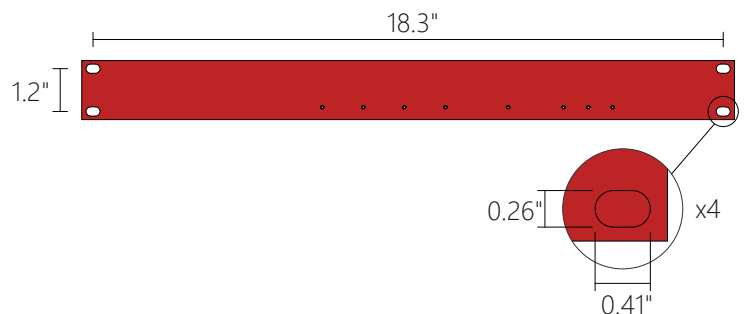
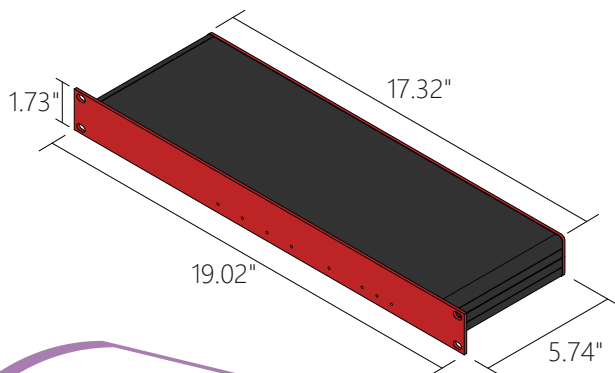
OPUS 4 supports ArtNet 1/2/3 protocol and can be used as a robust ArtNet - DMX converter by any ArtNet software in the market such as MADRIX 3/5, Enttec ELM, Jinx etc.

Configuration over Ethernet

OPUS 4's configuration and setup can be done easily with network-based user configuration tool. The tool allows users to modify IP address, subnet mask and gamma correction value. Output port-universe assignment also can be performed with that configuration tool.

True Sync

OPUS 4 allows the synchronization between devices by being triggered by ArtSynch packets. OPUS 4 also ensures the synchronization across its output channels. The DMX data is transferred without any delay between the output channels.

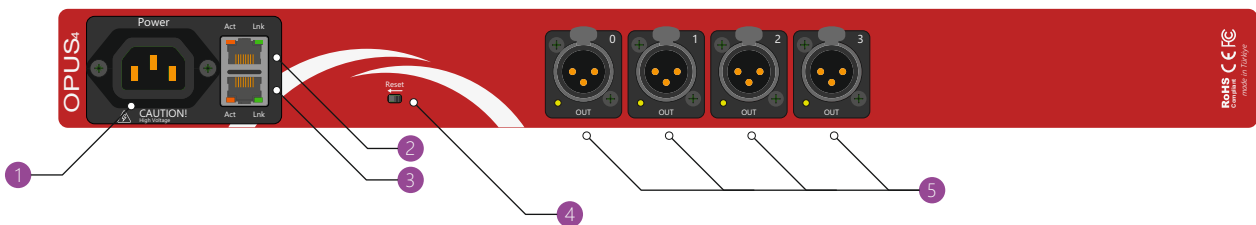


Technical Specifications

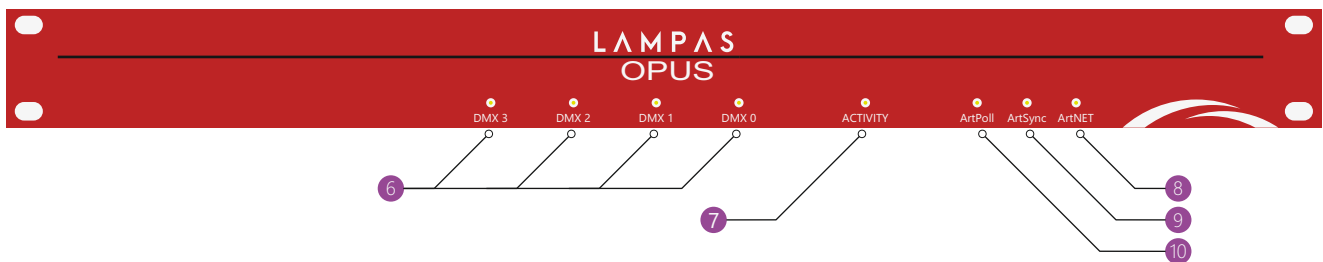
4 Port ArtNet DMX

Power	Universal Input 85-305VAC 50-60 Hz
DMX512 Ports	4xNEUTRIK 3-Pin XLR
Ethernet	2xRJ45, 10/100Mb
Size	1U
Dimensions	19.01×5.74×1.73 inch
Weight	3.1 lb
Operating Temp.	14°F ~ 122°F
Storage Temp.	-4°F ~ 176°F
Case	Aluminum Enclosure
IP Rating	IP20

Back View



Front View



- 1 Power Input
- 2 RJ45 Ethernet Port 1
- 3 RJ45 Ethernet Port 2
- 4 Reset Switch
- 5 DMX Output Ports
- 6 DMX Indicator LEDs
- 7 Activity LED
- 8 ArtNET LED
- 9 ArtSync LED
- 10 ArtPoll LED

RoHS
Compliant

