

OPUS₈

ArtNET DMX Controller

“OPUS 8” is an 8-universe ArtNet DMX controller designed to be the professional DMX control solution for lighting systems that need lots of DMX512 channels.

Made in Turkey

8 Port ArtNet DMX



General Specifications

True FPS

OPUS 8 ensures that the DMX512 update rate is the same as the frame rate of the media coming from the network. Thanks to the powerful ARM processor of OPUS 8, the frame rate (fps) between 5-40 is guaranteed without any delay or frame loss.

2 Port Ethernet Switch

The 2 port Ethernet switch on OPUS 8 allows daisy chain connection of several OPUS or any ArtNet-DMX converters, eliminating the necessity for an external network switch. This makes the cabling within the controller cabinet easier than ever.

LED Indicators

LED indicators on OPUS 8 visualize the state of each output channel, ArtNet-related activity on the network, and the status of the device. This allows user to observe data flow in the output port and related ArtNet network traffic.

Software Compatibility

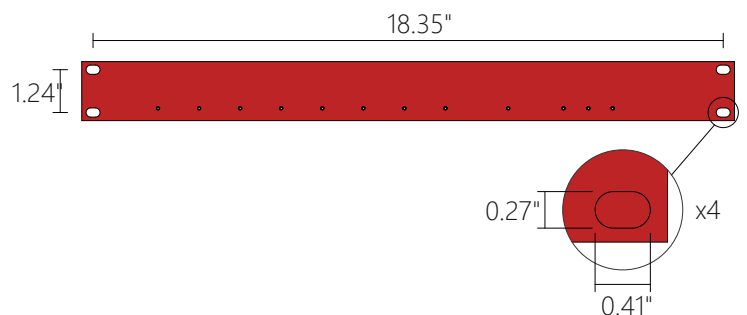
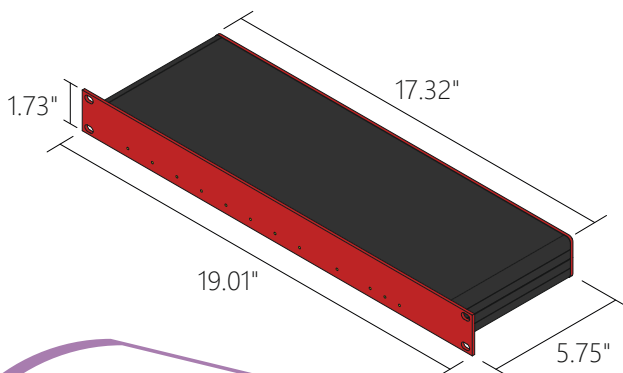
OPUS 8 supports ArtNet 1/2/3 protocol and can be used as a robust ArtNet DMX controller by any ArtNet software in the market such as MADRIX 3/5, Enttec ELM, Jinx etc.

Configuration over Ethernet

OPUS 8's configuration and setup can be done easily with Ethernet-based user configuration tool. The tool allows users to modify IP address, subnet mask and gamma correction value. Output port-universe assignment also can be performed with the configuration tool.

True Sync

OPUS 8 allows synchronization between the devices by ArtSynch packets. OPUS 8 also ensures the synchronization across its output channels. All connected devices operates synchronously.

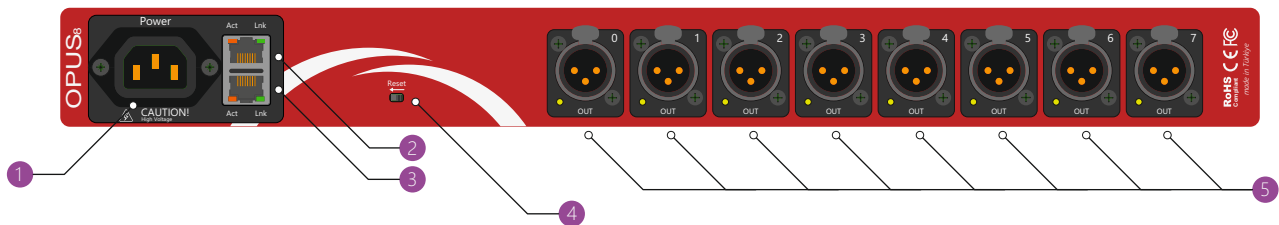


Technical Specifications

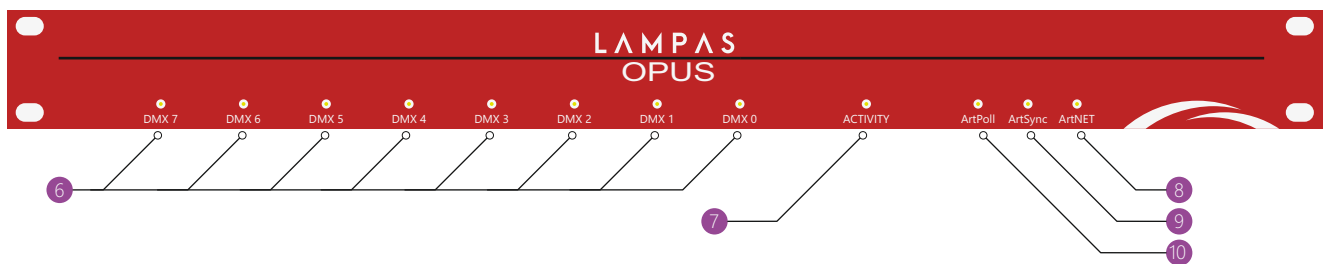
8 Port ArtNet DMX

Power	Universal Input 85-305VAC 50-60 Hz
DMX512 Ports	8xNEUTRIK 3-Pin XLR
Ethernet	2xRJ45, 10/100Mb
Size	1U
Dimensions	19.01×5.75×1.73 inch
Weight	7.28 lb
Operating Temp.	14°F ~ 122°F
Storage Temp.	-4°F ~ 176°F
Case	Aluminum Enclosure
IP Rating	IP20

Back View



Front View



- | | |
|------------------------|----------------------|
| ① Power Input | ⑥ DMX Indicator LEDs |
| ② RJ45 Ethernet Port 1 | ⑦ Activity LED |
| ③ RJ45 Ethernet Port 2 | ⑧ ArtNET LED |
| ④ Reset Switch | ⑨ ArtSync LED |
| ⑤ DMX Output Ports | ⑩ ArtPoll LED |

RoHS
Compliant

