

AR-Line FC

AR-Line FC

Datasheet

AR-Line FC linear luminaire series offer simple and stylish illumination on different architectural structures with wide color options. They provide homogeneous image with custom made diffuser.

They can easily adapt to any type of architecture with external control capability.

Options

 RGB Red Green Blue	 RGBW Red Green Blue White	 Tunable White 2700K - 6500K
--	---	---

Control

- External DMX512/RDM
- External DALI
- ON/OFF



General Specifications

AR-Line FC

- With its aluminum extrusion body and UV-resistant diffuser, it is designed to operate smoothly for many years under harsh environmental conditions.
General Specifications IP67
- Animations can be displayed with external DMX512 controllers
- They provide visual harmony to architectural structures with body color options.



Technical Specifications

AR-Line FC

General

Control	External DMX512/RDM
Color Depth	16,7 Million

Physical

Size	1 17/32" x 1 9/64"
Body	Aluminum Extrusion
Connections Working Temperature	IP67 Connector
Protection Class	-13 °F ~ 122°F
	IP67

* Product lengths may vary. For details, see the technical drawing section.

Optical

Luminous Flux	700lm*
Viewing Angle	120°

* Lumen value is given when all LEDs are at full power.

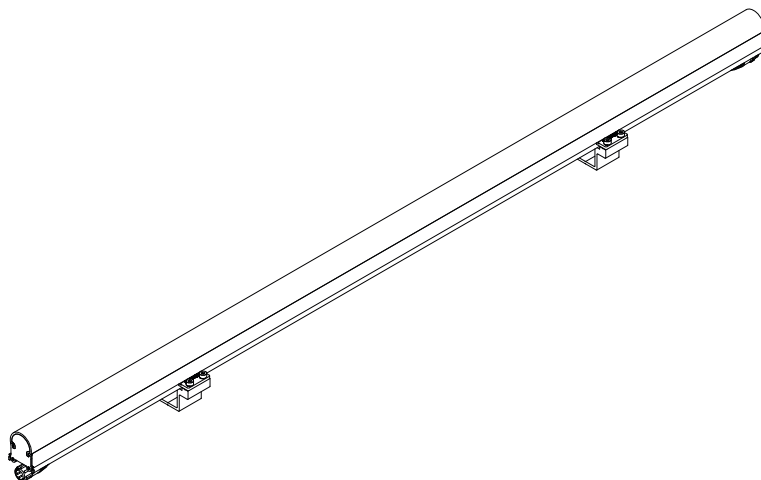
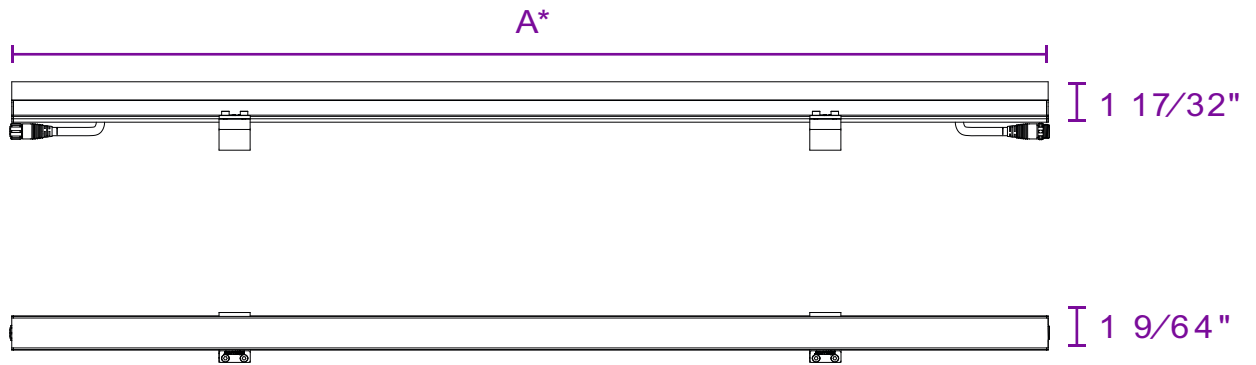
Electrical

Power	10 ~ 20W*
Operating Voltage	24VDC

* Power consumption may vary with product length and pixel structure.

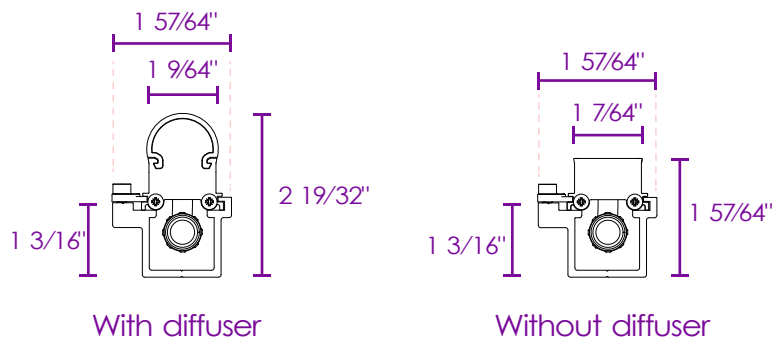
Technical Drawing

AR-Line FC



- *A $4 \frac{59}{64}$ "
- $9 \frac{27}{32}$ "
- $14 \frac{49}{64}$ "
- $19 \frac{11}{16}$ "
- $24 \frac{39}{64}$ "
- $78 \frac{47}{64}$ "

Options



All dimensions are in inches

Accessories

AR-Line FC

Connection Accessories



Extension cable



Input cable

Mounting Accessories



Standard mounting bracket



U type mounting bracket



M4 Allen Key

Connection Diagram

AR-Line FC

