

DOTs-Pie_{PX}

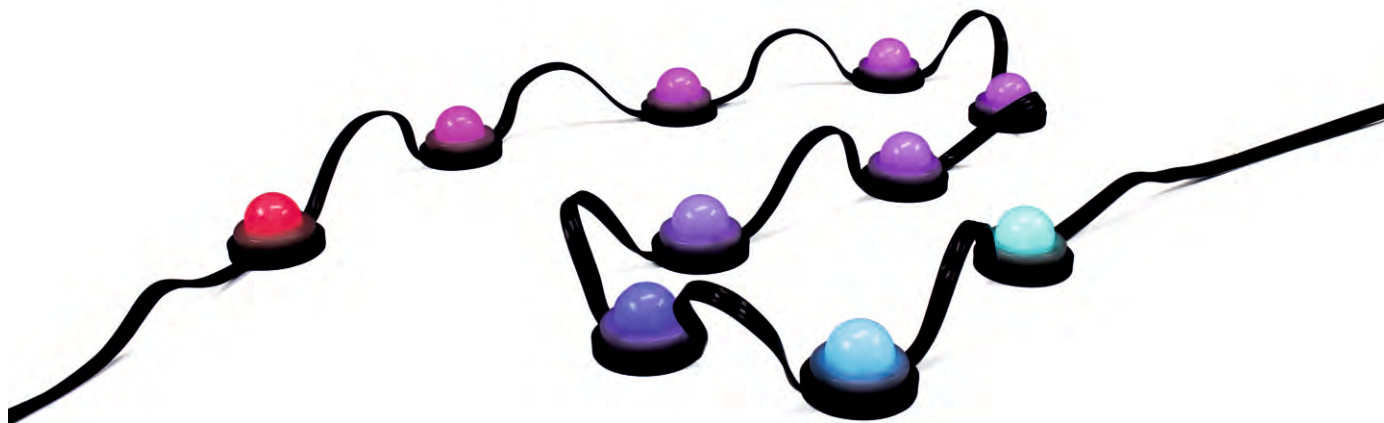
DOTs-Pie

Datasheet

DOTs-Pie PX which are pixel controllable dot LED luminaires, perform gorgeous visual effects on facade applications. DOT family is designed to operate hassle-free for many years under harsh environmental conditions.

Flexible and customizable form allows installation for any type of surface.

Works in full compatibility with DMX512/RDM standards. With high speed data transmission feature, DOTs-Pie PX enable smooth visuals and video graphic animations on any facade.



General Specifications

DOTs-Pie

- With its UV-resistant PC body, it is designed to operate smoothly for many years under harsh environmental conditions.
- They provide visual harmony to architectural structures with cable and fixture color options.
- With IP67 protection class feature, they work flawlessly under harsh weather conditions.
- Due to external DMX512 protocol support, it provides full compatibility with external control software such as Madrix 5, ENTTEC ELM.
- Luminaire sequential control can be achieved by 3XDMX support for 510 pixel with RGB systems and 384 pixel with RGBW systems



 **RoHS**
COMPLIANT



General

Pixel Pitch	2.95 inch~19.69 inch*
Control	External DMX512
Color Depth	16,7 Million

* Cable distance between products may vary.

Physical

Size	1 47/64" x 1 7/64"
Body	Polycarbonate
Connections	Flat Cable
Working Temperature	-13 °F ~ 122°F
Protection Class	IP67

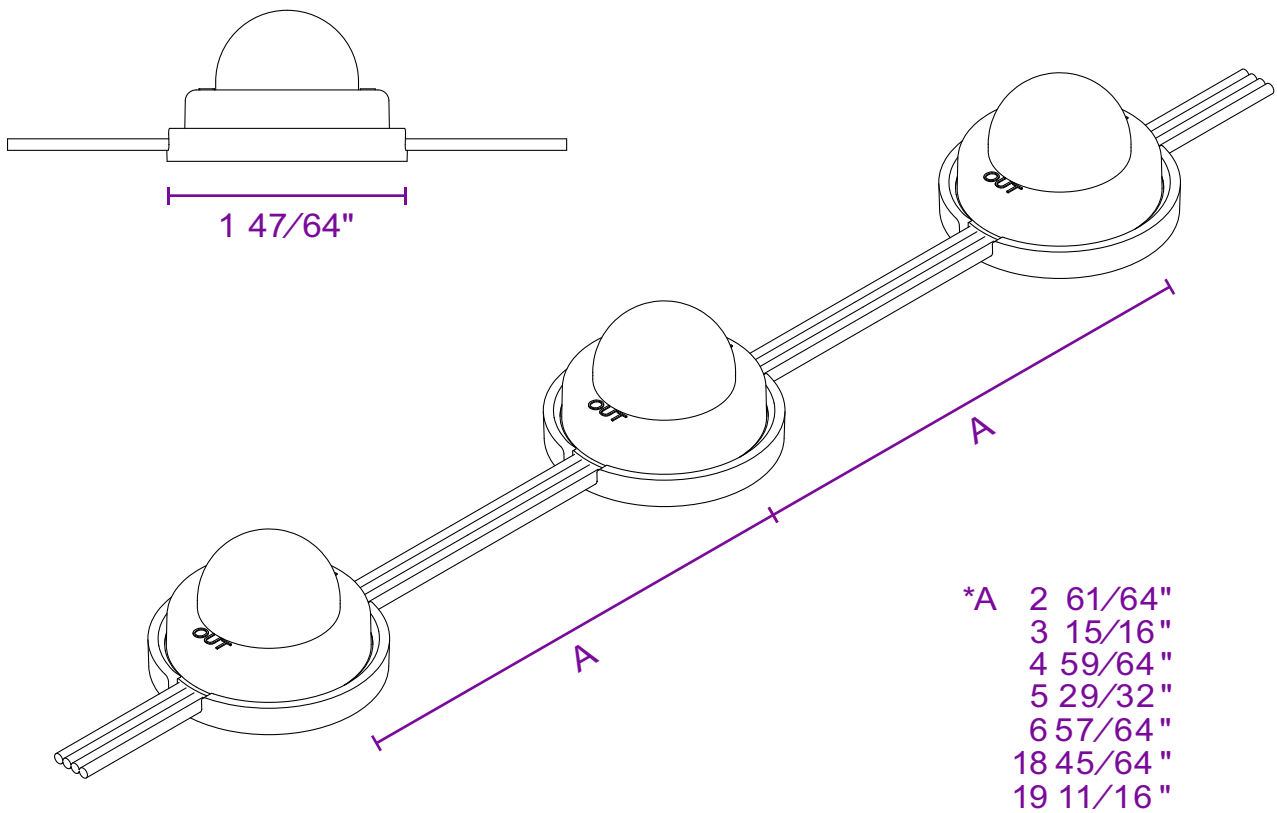
Optical

Luminous Flux	70lm/px*
Viewing Angle	140°

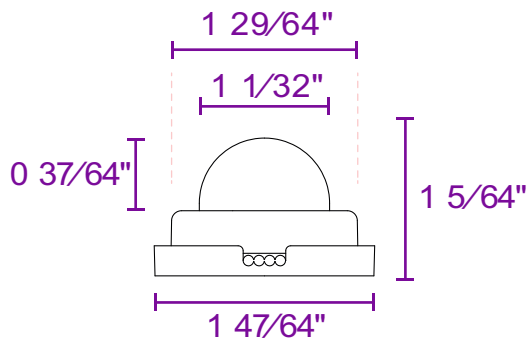
* Lumen value is given when all LEDs are at full power.

Electrical

Power	1.4W/px
Operating Voltage	24VDC



Options



All dimensions are in inches

Accessories

DOTs-Pie

Connection Accessories



Extension cable



Input cable

Mounting Accessories



Standard mounting bracket



M4 Allen Key

Connection Diagram

DOTs-Pie

