

## Datasheet

DOTs which are pixel controllable dot LED luminaires, perform gorgeous visual effects on facade applications. Dot family is designed to operate hassle-free for many years under harsh environmental conditions.

Flexible and customizable form allows installation for any type of surface.

Works in full compatibility with DMX512/RDM standards. With high speed data transmission feature, DOTs enable smooth visuals and video graphic animations on any facade.



# General Specifications

DOTs

- With its UV-resistant PC body, it is designed to operate smoothly for many years under harsh environmental conditions.
- They provide visual harmony to architectural structures with cable and fixture color options.
- With IP67 protection class feature, they work flawlessly under harsh weather conditions.
- Due to external DMX512 protocol support, it provides full compatibility with external control software such as Madrix 5, ENTTEC ELM.
- Luminaire sequential control can be achieved by 3XDMX support for 510 pixel with RGB systems and with RGBW systems



# Technical Specifications

DOTs

## General

Pixel Pitch	2.95 inch~19.69 inch*
Control	External DMX512
Color Depth	16,7 Milyon

\*Cable distance between products may vary.

## Physical

Size	1 31/32" x 1 21/32" x 1 19/64"
Body	Polycarbonate
Connections	Flat Cable
Working Temperature	-13°F ~ 122°F
Protection Class	IP67

## Optical

Luminous Flux	70lm/px*
Viewing Angle	140°

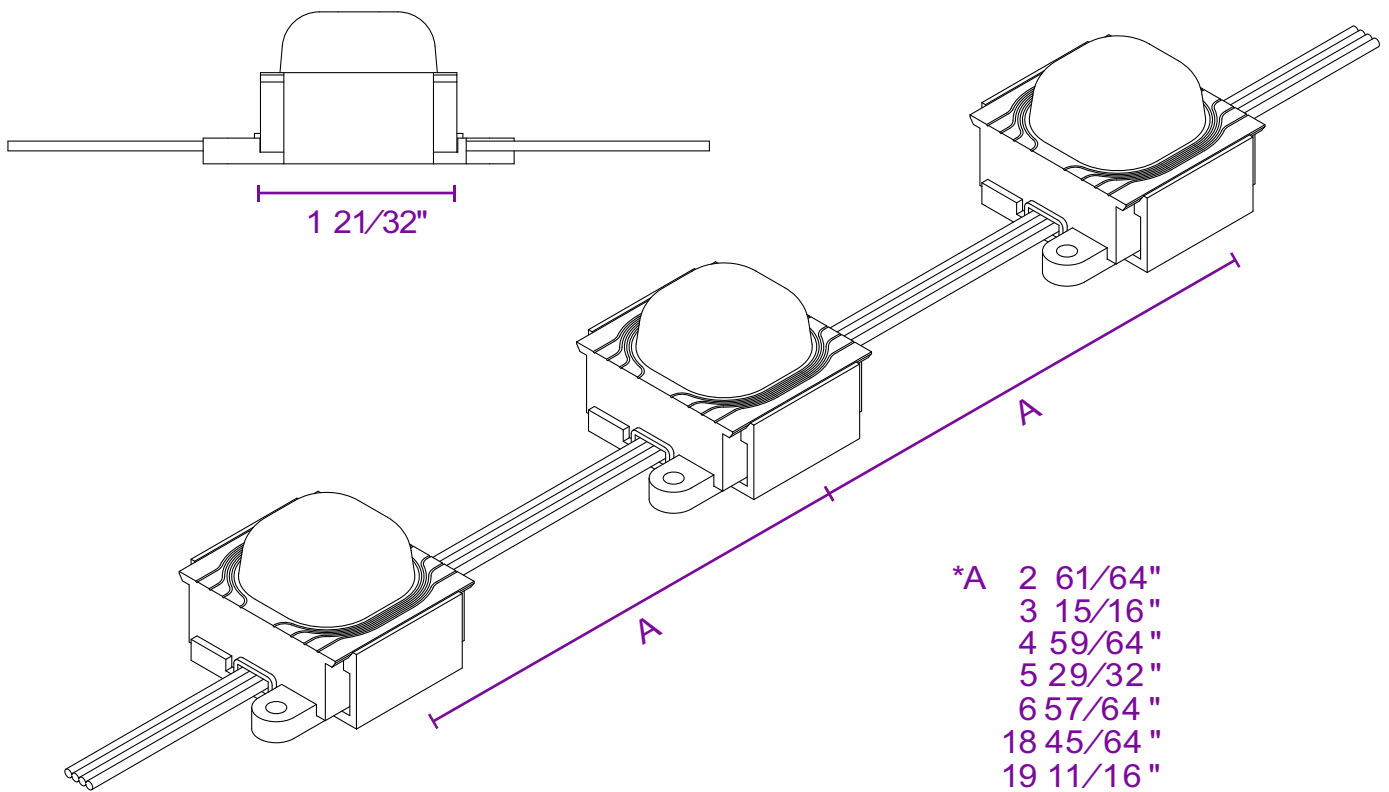
\*Lumen value is given when all LEDs are at full power.

## Electrical

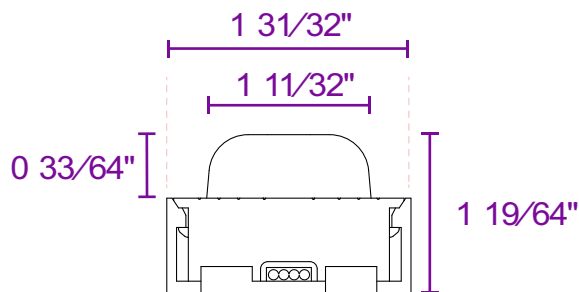
Power	1,4W/px
Operating Voltage	24VDC

# Technical Drawing

DOTs



## Options



All dimensions are in inches

# Accessories

DOTs

## Connection Accessories



Extension cable



Input cable

## Mounting Accessories



Standard mounting bracket



M4 Allen Key

# Connection Diagram

DOTs

