

AR-Line PX

AR-Line PX

Datasheet

AR-Line PX which are pixel controllable linear LED luminaires, perform gorgeous visual effects on facade applications. Airline family is designed to operate hassle-free for many years under harsh environmental conditions.

Works in full compatibility with DMX512/RDM standards. With high speed data transmission feature, Airline PX enable smooth visuals and video graphic animations on any facade.



General Specifications

AR-Line PX

With its aluminum extrusion body and UV-resistant diffuser, it is designed to operate smoothly for many years under harsh environmental conditions.

They provide visual harmony to architectural structures with body color options.

With IP67 protection class feature, they work flawlessly under harsh weather conditions.

Due to external DMX512 protocol support, it provides full compatibility with external control software such as Madrix 5, ENTTEC ELM.

Luminaire sequential control can be achieved by 3XDMX support for 510 pixel with RGB systems and 384 pixel with RGBW systems



General

Pixel Pitch	0.98 inch ~ 5.90 inch
Control	DMX512/RDM
Color Depth	16,7 Million

Physical

Size	1 17/32" x 1 9/64" *
Body	Aluminum Extrusion
Connections	IP67 Connector
Working Temperature	-13 °F ~ 122°F
Protection Class	IP67

* Product lengths may vary. For details, see the technical drawing section.

Optical

Luminous Flux	700lm*
Viewing Angle	120°

* Lumen value is given when all LEDs are at full power.

Electrical

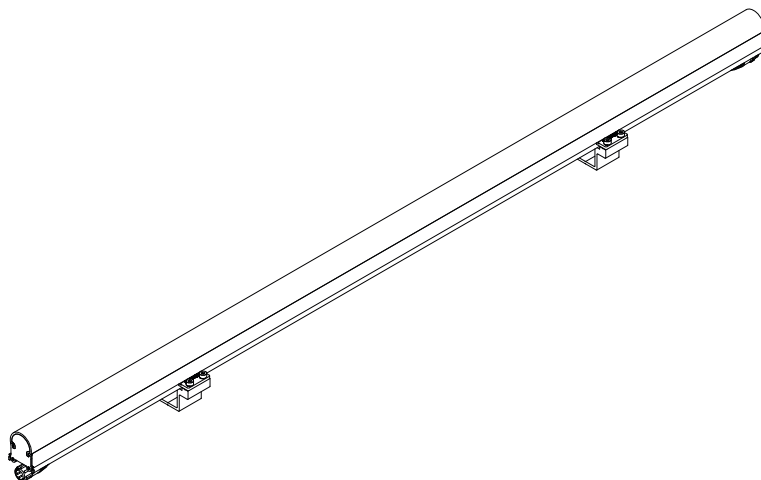
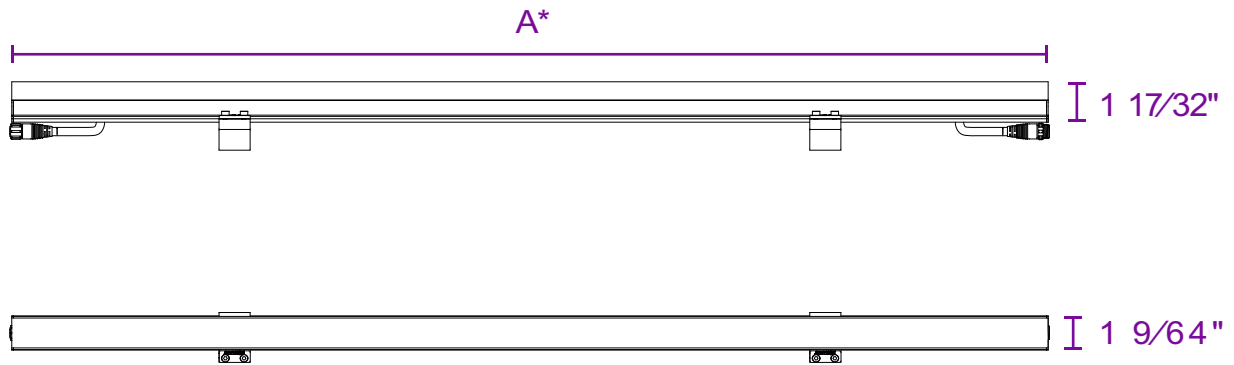
Power	10 ~ 20W*
Operating Voltage	48VDC

* Power consumption may vary with product length and pixel structure.

***Longer installations can be done with
48VDC operating voltage.***

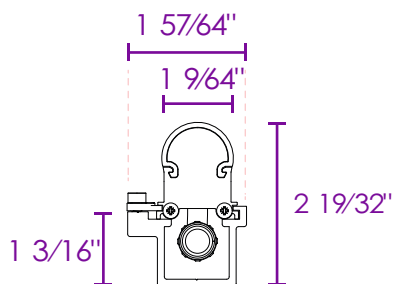
Technical Drawing

AR-Line PX

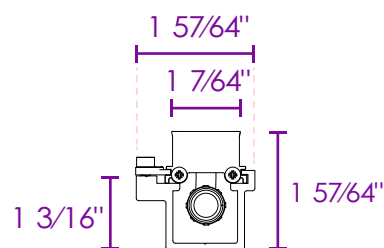


- *A $11 \frac{13}{16}$ "
- $17 \frac{23}{32}$ "
- $23 \frac{5}{8}$ "
- $29 \frac{17}{32}$ "
- $35 \frac{7}{16}$ "
- $64 \frac{61}{64}$ "
- $70 \frac{55}{64}$ "

Options



With Diffuser



Without Diffuser

All dimensions are in inches

Accessories

AR-Line PX

Connection Accessories



Extension cable



Input cable

Mounting Accessories



Standard mounting bracket



U type mounting bracket



M4 Allen Key

Connection Diagram

AR-Line PX

