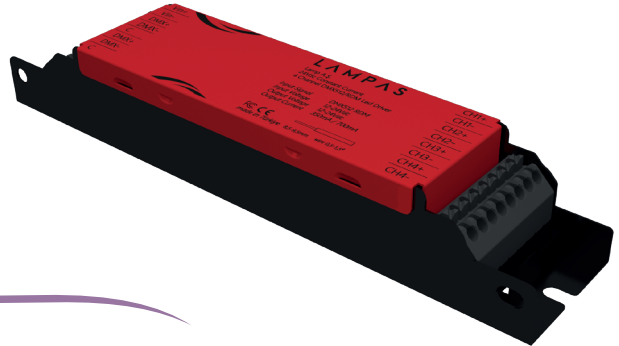


DMX CC4

"DMX CC 4" is a constant current DMX512 decoder with 4 channel output, achieving address setting via RDM protocol. With 350/500/700ma LED drive current options, DMX CC is a perfect candidate for driving single color, bi-color, RGB and RGBW LED luminaires. Its slim type design allows DMX CC to be used in the luminaire housing.

Made in Turkey



General Specifications

Slim type design

The usage of the "DMX CC 4" in the housing of the luminaires are achieved by its slim type mechanical case. With the slim body, the mounting and cabling also becomes easier.

Addressable via RDM protocol

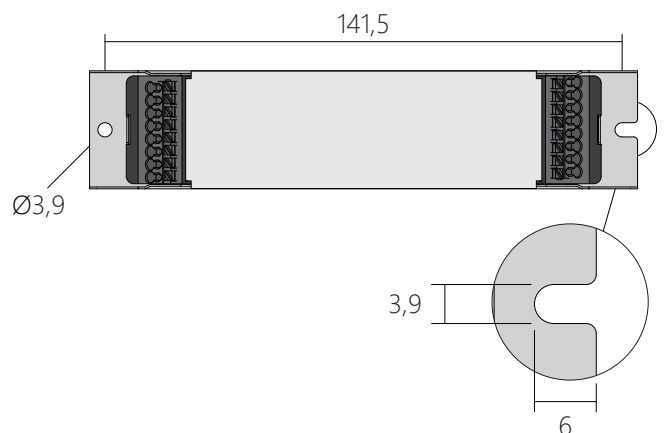
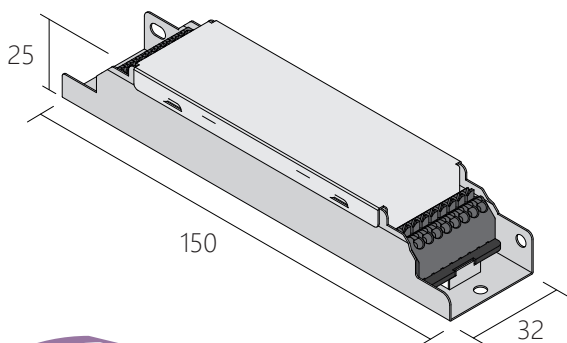
"DMX CC 4" supports remote device management (RDM) protocol. This feature enables user to set/read the address of "DMX CC 4" using an RDM controller, without reaching the device, using DMX cable connected to DMX input of the decoder.

Drive current options

"DMX CC 4" has three drive current options which are 350, 500 and 700 ma. The selection of drive current is done in manufacturing process so it should be determined in the order.

Embedded gamma correction

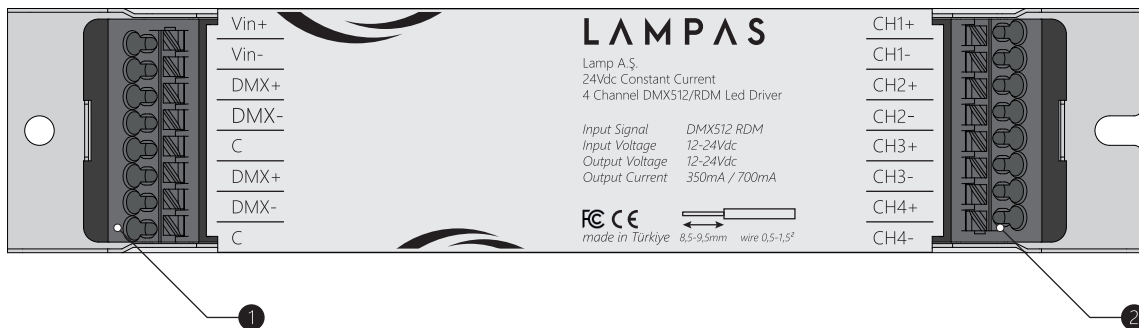
"DMX CC 4" applies gamma correction to the DMX data and drives the LEDs according to gamma corrected color levels. This unique feature makes the decoders suitable for facade lighting applications.



*All dimensions are in millimeter

Technical Specifications

Input Voltage	12-24 VDC
Output Channel num	4 Ch
Output Current per ch	350/500/700mA
Dimensions	150×32×25mm
Weight	150g
Operating Temp.	-10°C ~ 50°C
Storage Temp.	-20°C ~ 80°C
Case	Coated Metal Sheet
IP Rating	IP20



- 1 Input Connector
- 2 Output Connector

RoHS
Compliant

